

# OMRON<sup>®</sup> Momentary Tact Switches

## Characteristics:

- **Switching Capacity:** 50 mA 24 VDC (resistive load)
- **Contact Resistance:** 100 mΩ max.
- **Bounce Time:** 5 ms max.
- **Vibration:** Malfunction durability: 10 to 55 Hz, 1.5 mm double amplitude

- **Shock:** Mechanical durability: 1,000 m/s<sup>2</sup> (approx. 100G); Malfunction durability: 100 m/s<sup>2</sup> (approx. 10G)
- **Ambient Temperature:** Operating: -25°C to 70°C
- **Service Life:**
  - B3F-1 Series — B3F-3 Series — Mechanical/electrical: 1 x 10<sup>6</sup> (0.3 x 10<sup>7</sup>) operations min.
  - B3F-4 Series — Mechanical/electrical: 3 x 10<sup>6</sup> (0.3 x 10<sup>7</sup>) operations min.

- **B3S-1 Series** — Mechanical/electrical: General-purpose type: 500,000 operations min. High-load type: 300,000 operations min.
- **B3W-1 Series** — Mechanical/electrical: General-purpose type: 1,000,000 operations min. High-load type: 300,000 operations min.
- **B3W-4 Series** — Mechanical/electrical: General-purpose type: 3,000,000 operations min. High-load type: 500,000 operations min.

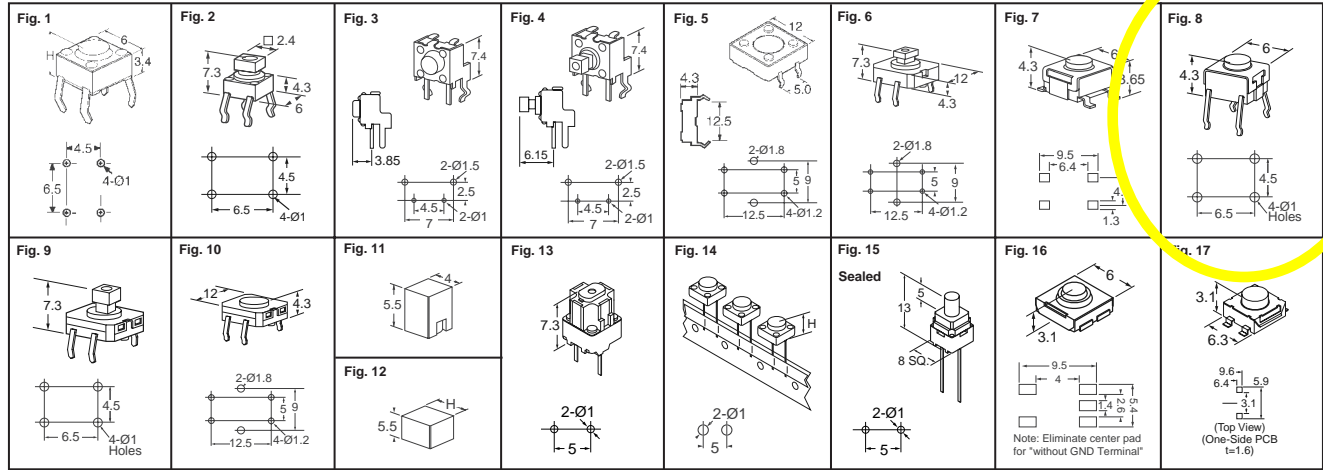


Fig.	Description	Dim. H (mm)	Digi-Key Part No.	1	25	Price Each	50	100	250	500	Omron Part No.
<b>6 MM</b>											
1	Tact Switch Standard, Flat Actuator w/o Ground Terminal — 100gf	4.3	SW400-ND	.20	.18	.16	.15	.14	.12	.12	B3F-1000
1	Tact Switch Standard, Flat Actuator w/o Ground Terminal — 150gf	4.3	SW401-ND	.23	.21	.18	.17	.16	.14	.14	B3F-1002
1	Tact Switch Standard, Flat Actuator w/o Ground Terminal — 100gf	5.0	SW402-ND	.23	.21	.18	.17	.16	.14	.14	B3F-1020
1	Tact Switch Standard, Flat Actuator w/o Ground Terminal — 150gf	5.0	SW403-ND	.23	.21	.18	.17	.16	.14	.14	B3F-1022
1	Tact Switch Standard, Flat Actuator w/o Ground Terminal — 100gf	9.5	SW406-ND	.25	.23	.20	.18	.17	.15	.15	B3F-1070
2	Tact Switch Standard, Projected Actuator w/o Ground Terminal — 100gf	—	SW404-ND	.23	.21	.18	.17	.16	.14	.14	B3F-1050
2	Tact Switch Standard, Projected Actuator w/o Ground Terminal — 150gf	—	SW405-ND	.23	.21	.18	.17	.16	.14	.14	B3F-1052
3	Tact Switch Rt. Angle, Flat Actuator — 100gf	—	SW407-ND	.30	.27	.24	.22	.21	.18	.18	B3F-3120
3	Tact Switch Rt. Angle, Flat Actuator — 150gf	—	SW408-ND	.30	.27	.24	.22	.21	.18	.18	B3F-3122
4	Tact Switch Rt. Angle, Projected Actuator — 100gf	—	SW409-ND	.30	.27	.24	.22	.21	.18	.18	B3F-3150
4	Tact Switch Rt. Angle, Projected Actuator — 150gf	—	SW410-ND	.30	.27	.24	.22	.21	.18	.18	B3F-3152
<b>12 MM</b>											
5	Tact Switch Standard, Flat Actuator w/o Ground Terminal — 130gf	—	SW411-ND	.30	.27	.24	.22	.21	.18	.18	B3F-4000
5	Tact Switch Standard, Flat Actuator w/o Ground Terminal — 260gf	—	SW412-ND	.30	.27	.24	.22	.21	.18	.18	B3F-4005
6	Tact Switch Standard, Projected Actuator w/o Ground Terminal — 130gf	—	SW413-ND	.30	.27	.24	.22	.21	.18	.18	B3F-4050
6	Tact Switch Standard, Projected Actuator w/o Ground Terminal — 260gf	—	SW414-ND	.30	.27	.24	.22	.21	.18	.18	B3F-4055
<b>6 MM Process Sealed (not water washable)</b>											
7	SMT Flat Actuator w/o Ground Terminal — 160gf	—	SW415-ND	.45	.41	.36	.33	.31	.27	.27	B3S-1000
7	SMT Flat Actuator w/o Ground Terminal — 230gf	—	SW416-ND	.45	.41	.36	.33	.31	.27	.27	B3S-1002
8	Tact Switch Flat Actuator w/o Ground Terminal — 160gf	—	SW417-ND	.35	.32	.28	.26	.24	.21	.21	B3W-1000
8	Tact Switch Flat Actuator w/o Ground Terminal — 230gf	—	SW418-ND	.35	.32	.28	.26	.24	.21	.21	B3W-1002
9	Tact Switch Projected Actuator w/o Ground Terminal — 160gf	—	SW419-ND	.35	.32	.28	.26	.24	.21	.21	B3W-1050
9	Tact Switch Projected Actuator w/o Ground Terminal — 230gf	—	SW420-ND	.35	.32	.28	.26	.24	.21	.21	B3W-1052
<b>12 MM Process Sealed (not water washable)</b>											
10	Tact Switch Flat w/o Ground Terminal — 200gf	—	SW421-ND	.43	.39	.34	.31	.29	.26	.26	B3W-4000
6	Tact Switch Projected w/o Ground Terminal — 200gf	—	SW422-ND	.43	.39	.34	.31	.29	.26	.26	B3W-4050
<b>Key Caps</b>											
11	Key Cap 4 x 4 mm Light Grey, Fits 6mm Projected Actuator Types	—	SW450-ND	.18	.16	.14	.13	.12	.11	.11	B32-1000
11	Key Cap 4 x 4 mm Black, Fits 6mm Projected Actuator Types	—	SW451-ND	.18	.16	.14	.13	.12	.11	.11	B32-1010
11	Key Cap 4 x 4 mm Yellow, Fits 6mm Projected Actuator Types	—	SW459-ND	.18	.16	.14	.13	.12	.11	.11	B32-1030
11	Key Cap 4 x 4 mm Blue, Fits 6mm Projected Actuator Types	—	SW250-ND	.18	.16	.14	.13	.12	.11	.11	B32-1040
11	Key Cap 4 x 4 mm White, Fits 6mm Projected Actuator Types	—	SW251-ND	.18	.16	.14	.13	.12	.11	.11	B32-1060
11	Key Cap 4 x 4 mm Red, Fits 6mm Projected Actuator Types	—	SW252-ND	.18	.16	.14	.13	.12	.11	.11	B32-1080
12	Key Cap 9 x 9 mm Light Grey, Fits 12mm Projected Actuator Types	9	SW452-ND	.18	.16	.14	.13	.12	.11	.11	B32-1200
12	Key Cap 9 x 9 mm Black, Fits 12mm Projected Actuator Types	9	SW453-ND	.18	.16	.14	.13	.12	.11	.11	B32-1210
12	Key Cap 9 x 9 mm Yellow, Fits 12mm Projected Actuator Types	9	SW253-ND	.18	.16	.14	.13	.12	.11	.11	B32-1230
12	Key Cap 9 x 9 mm Blue, Fits 12mm Projected Actuator Types	9	SW254-ND	.18	.16	.14	.13	.12	.11	.11	B32-1240
12	Key Cap 9 x 9 mm White, Fits 12mm Projected Actuator Types	9	SW255-ND	.18	.16	.14	.13	.12	.11	.11	B32-1260
12	Key Cap 9 x 9 mm Red, Fits 12mm Projected Actuator Types	9	SW256-ND	.18	.16	.14	.13	.12	.11	.11	B32-1280
12	Key Cap 12 x 12 mm Light Grey, Fits 12mm Projected Actuator Types	12	SW454-ND	.18	.16	.14	.13	.12	.11	.11	B32-1300
12	Key Cap 12 x 12 mm Black, Fits 12mm Projected Actuator Types	12	SW455-ND	.18	.16	.14	.13	.12	.11	.11	B32-1310
12	Key Cap 12 x 12 mm Yellow, Fits 12mm Projected Actuator Types	12	SW257-ND	.18	.16	.14	.13	.12	.11	.11	B32-1330
12	Key Cap 12 x 12 mm Blue, Fits 12mm Projected Actuator Types	12	SW258-ND	.18	.16	.14	.13	.12	.11	.11	B32-1340
12	Key Cap 12 x 12 mm White, Fits 12mm Projected Actuator Types	12	SW259-ND	.18	.16	.14	.13	.12	.11	.11	B32-1360
12	Key Cap 12 x 12 mm Red, Fits 12mm Projected Actuator Types	12	SW260-ND	.18	.16	.14	.13	.12	.11	.11	B32-1380
<b>6MM Long Stroke Tact Switch</b>											
13	Tact Switch with Long Stroke and Positive Click — 70gf	—	SW426-ND	.63	.57	.50	.45	.43	.38	.38	B3M-6009

Fig.	Description	Dim. H (mm)	Digi-Key Part No.	1	Cut Tape Price Each	25	50	100	Digi-Key Part No.	Size	Pricing	Omron Part No.
<b>6 MM Auto Placement</b>												
14	Tact Switch Auto-Placement 6mm Sq. — 100gf	4.3	SW263CT-ND	.30	.28	.25	.22	.22	SW263TB-ND*	1,000	125.00	B3F-6000
14	Tact Switch Auto-Placement 6mm Sq. — 150gf	5.0	SW264CT-ND	.32	.29	.27	.24	.24	SW264TB-ND*	1,000	137.50	B3F-6022
15	Tact Switch Auto-Placement - Water Tight - Dust Sealed	—	SW425CT-ND	.51	.46	.42	.37	.37	SW425TB-ND*	1,000	212.50	B3WN-6002
<b>6 MM Process Sealed (not water washable)</b>												
16	SMT Flat Actuator w/o Ground Terminal — 160gf	—	SW261CT-ND	.76	.69	.62	.55	.55	SW261TR-ND**	3,000	325.00/M	B3SN-3012P
16	SMT Flat Actuator w/ Ground Terminal — 160gf	—	SW262CT-ND	.76	.69	.62	.55	.55	SW262TR-ND**	3,000	325.00/M	B3SN-3112P
17	SMT Tact Switch 6mm Sq. (snap-action) — 100gf	—	SW423CT-ND	.45	.41	.37	.33	.33	SW423TR-ND**	3,000	187.50/M	B3FS-1000P
17	SMT Tact Switch 6mm Sq. (snap-action) — 150gf	—	SW424CT-ND	.45	.41	.37	.33	.33	SW424TR-ND**	3,000	187.50/M	B3FS-1002P

\* TB = Tape and Box \*\* TR = Tape and Reel

More Product Available Online: [www.digikey.com](http://www.digikey.com)