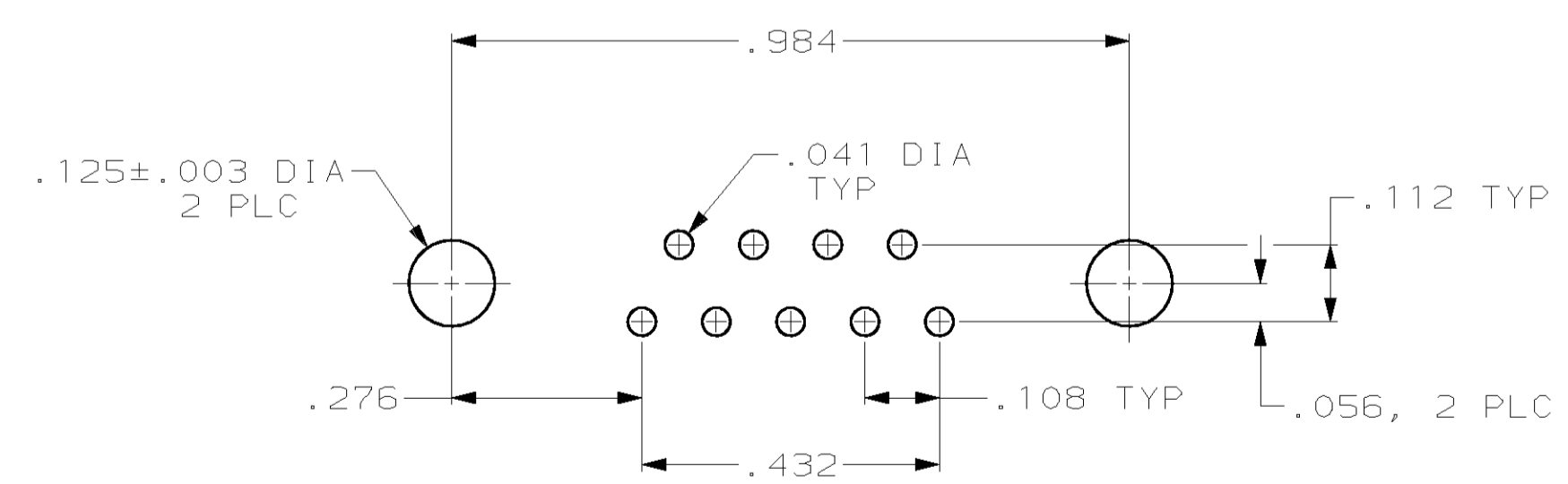
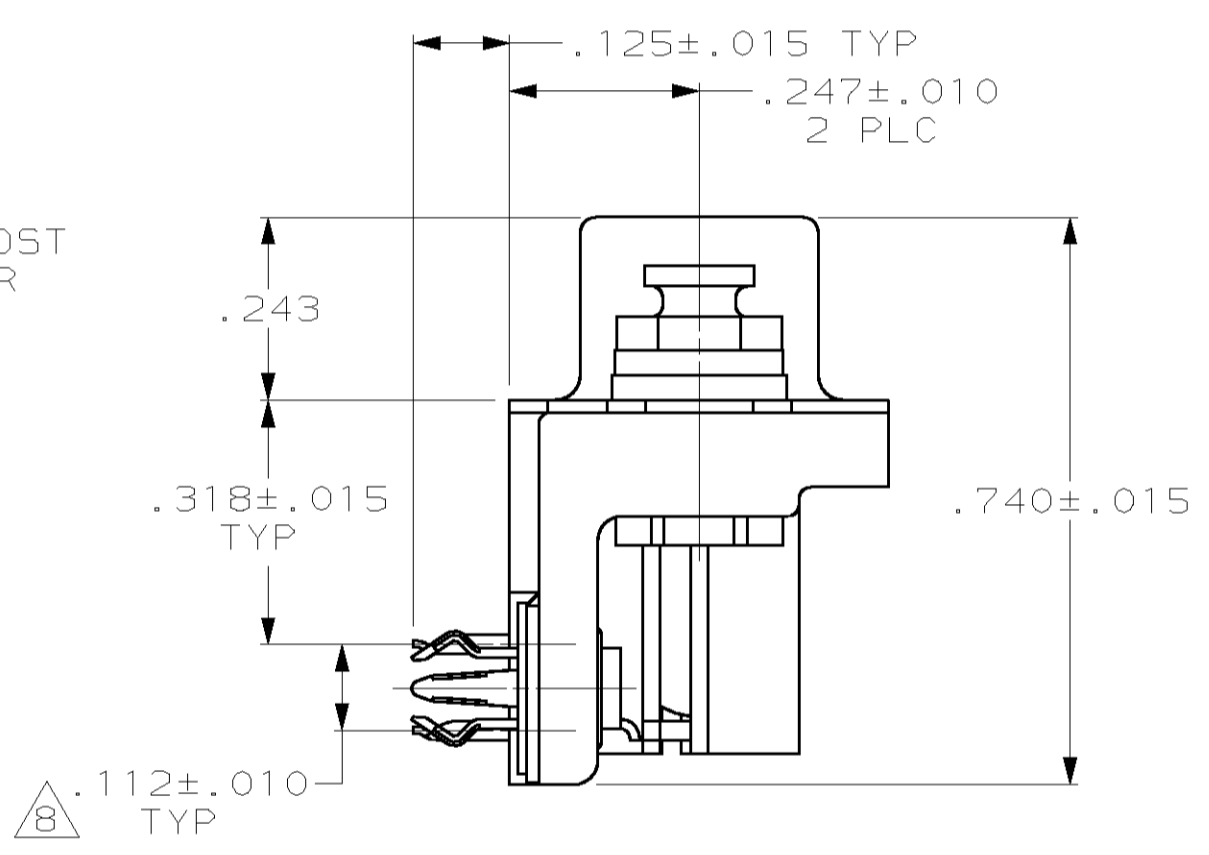
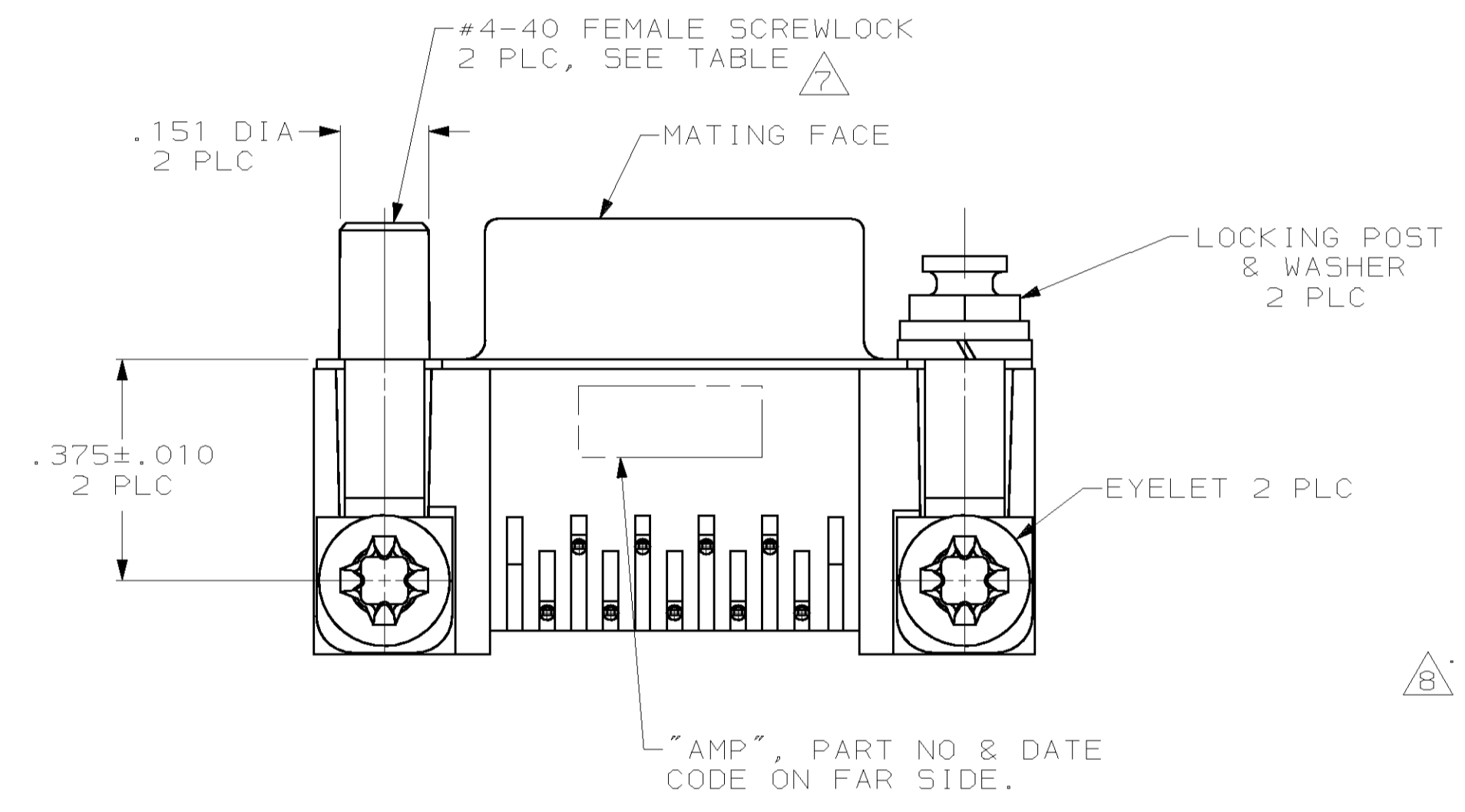
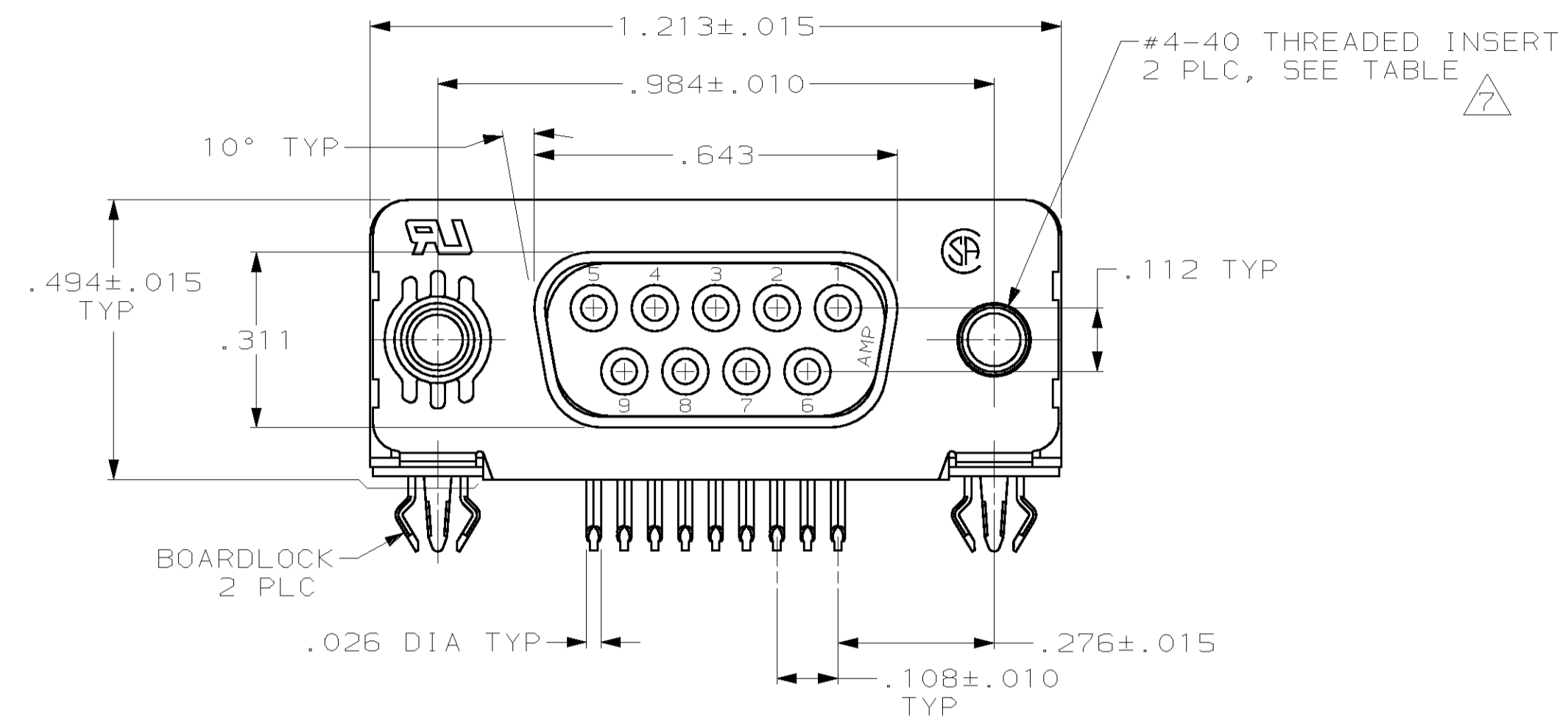


LOC	DIST	REV	DESCRIPTION	DATE	BY	APPV
BD	77	S	REVISED PER EC 0640-0283-99	22DEC99	DD	KB
		T	REV PER EC 001D-0142-00	08 MAY 00	DB	JK



PC BOARD MOUNTING DIMENSIONS

1. CONNECTOR MATES WITH ANY 9 POSN PLUG IN AMPLIMITE™ SERIES.
2. MOLDED PARTS: FLAME RETARDANT 94V-0 RATED THERMOPLASTIC, BLACK.
SHELL: STEEL PER ASTM A109
CONTACTS: PHOSPHOR BRONZE PER QQ-B-750
EYELETS: BRASS
SCREWLOCKS: ZINC
INSERTS: ZINC
BOARDLOCKS: COPPER ALLOY
3. SHELL: .000100 MIN TIN OR TIN-LEAD
CONTACTS: SEE TABLE
EYELETS: TIN
SCREWLOCKS: CLEAR CHROMATE
BOARDLOCKS: TIN-LEAD
INSERTS: CLEAR CHROMATE
4. GOLD PLATING PER MIL-G-45204, NICKEL PLATING PER QQ-N-290, TIN PLATING PER MIL-T-10727.
5. GOLD FLASH FOR A DISTANCE OF .100 MIN FROM MATING END, .000100-.000200 BRIGHT TIN OR BRIGHT TIN-LEAD ON TERMINATION END, ALL OVER .000050 NICKEL ON ENTIRE CONTACT.
6. .000030 GOLD FOR A DISTANCE OF .100 MIN FROM MATING END, .000100-.000200 BRIGHT TIN OR BRIGHT TIN-LEAD ON TERMINATION END, ALL OVER .000050 NICKEL ON ENTIRE CONTACT.
7. SCREWLOCKS & INSERTS WILL WITHSTAND 4 IN LBS TORQUE & 20 LBS PULL OUT FORCE FROM MATING FACE SIDE.
8. DIMENSION APPLIES TO CENTER LINE OF CONTACTS.

SUPSD BY 747844-4	TUBE	THREADED INSERTS	747844-8
SUPSD BY 747844-4	-	INSERT/LOCKING POST & WASHERS	747844-7
-	-	FEMALE SCREWLOCKS	747844-6
-	-	FEMALE SCREWLOCKS	747844-5
-	TRAY	THREADED INSERTS	747844-4
-	-	THREADED INSERTS	747844-3
-	-	.125 DIA HOLES	747844-2
SUPSD BY 747844-2	-	.125 DIA HOLES	747844-1
PACKAGING	MOUNTING HARDWARE	CONTACT FINISH	PART NUMBER

THIS DRAWING IS A CONTROLLED DOCUMENT.

DW: J. GALLUCCI 28 JAN 91	AMP Incorporated
CHK: W.G. LENKER 15 APR 91	Harrisburg, PA 17105-3608
APPV: J. YOUNG 15 APR 91	NAME: RECEPTACLE ASSEMBLY, SIZE 1, RIGHT ANGLE, .318 SERIES, FRONT METAL SHELL, .026 DIA POSTS, BOARDLOCKS, AMPLIMITE™ HD-20
DIMENSIONS: INCHES	PRODUCT SPEC: 108-40025
TOLERANCES UNLESS OTHERWISE SPECIFIED:	APPLICATION SPEC: 114-40010
0 PLC ±.005	SIZE: A1
1 PLC ±.005	CAGE CODE: 00779
2 PLC ±.005	DRAWING NO: 747844
3 PLC ±.005	SCALE: 4:1
4 PLC ±.005	SHEET: 1 OF 1
5 PLC ±.005	REV: T
6 PLC ±.005	
7 PLC ±.005	
8 PLC ±.005	

MATERIAL: CUSTOMER DRAWING