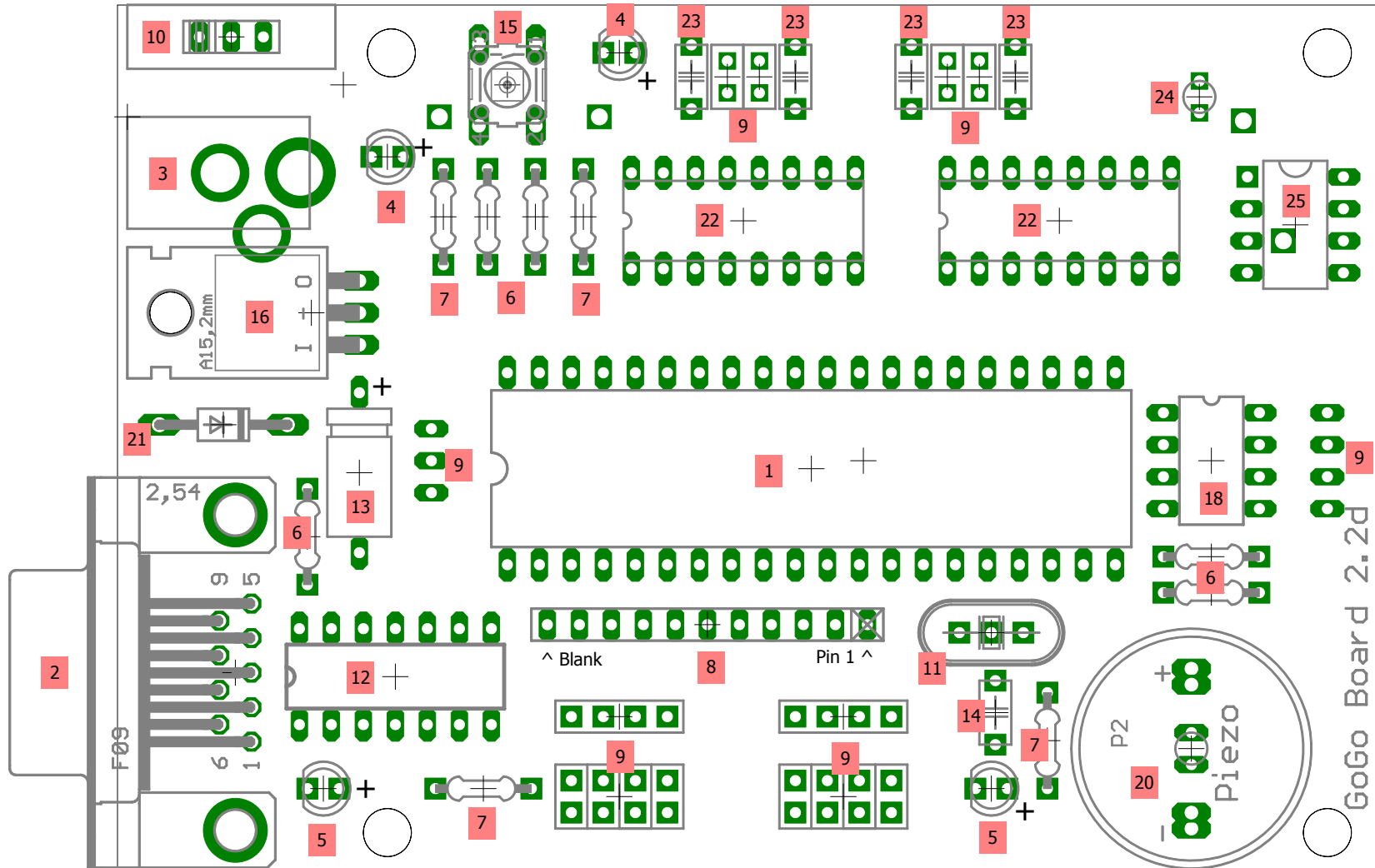


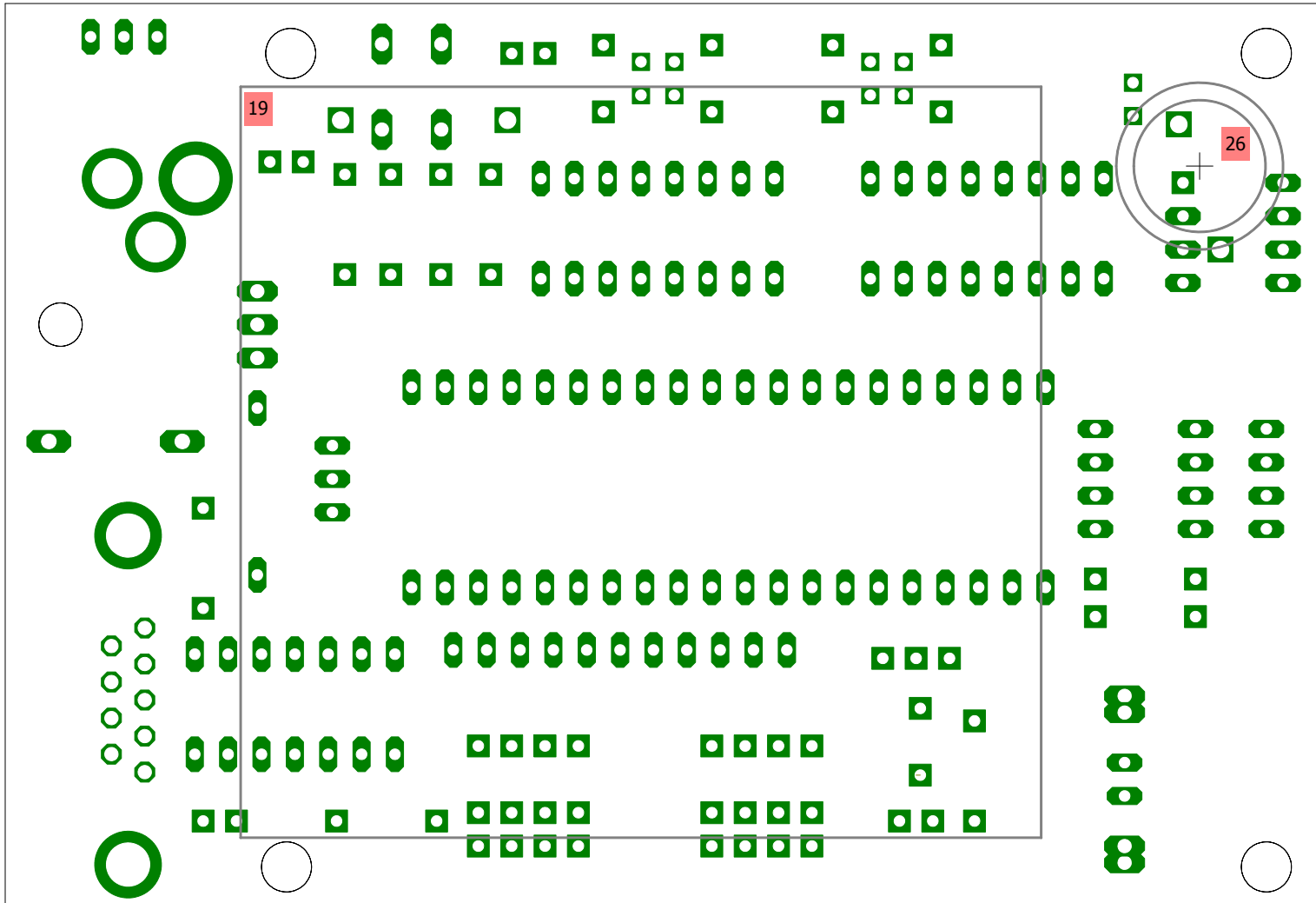
GoGo Board 2.2d - Top



Note: Make sure the LED polarity is correct. One of its legs should be longer than the other. □
 The long leg denotes positive (+).

See legend on page 3

GoGo Board 2.2d - Bottom



See legend on page 3

Part	Part Code
1 Microcontroller	PIC16F877
2 DB9 Connector	
3 Power Jack	2.1 mm
4 Red LED	3 mm
5 Green LED	3 mm
6 Resistor 3.3k	1/4 watt
7 Resistor 1k	1/4 watt
8 Resistor Pack 33K	8-10 positions
9 Female SIP Connector	
10 On/Off switch	
11 Crystal 20 Mhz	
12 Hex Inverter	74HC04
13 100uF Polarized Capacitor	
14 0.1 uF Ceramic Capacitor	
15 Push Button	
16 1A Power Regulator 5V	LM7805
17 IC Socket 40 pin	
18 32K Bytes EEPROM	24LC256
19 GoGo Board Battery Pack	4xAA Batt pack
20 Piazo Beeper	
21 Diode	1N4004
22 H-Bridge Driver	SN754410
23 0.1 uF Ceramic Capacitor	
24 Realtime Clock Crystal	Crystal 32.768 kHz
25 Realtime Clock	IC RTC SERIAL 512K
26 Realtime Clock Battery	Batt 12.5MM

